

# Corhydro

Storage tank for DHW  
11 models available



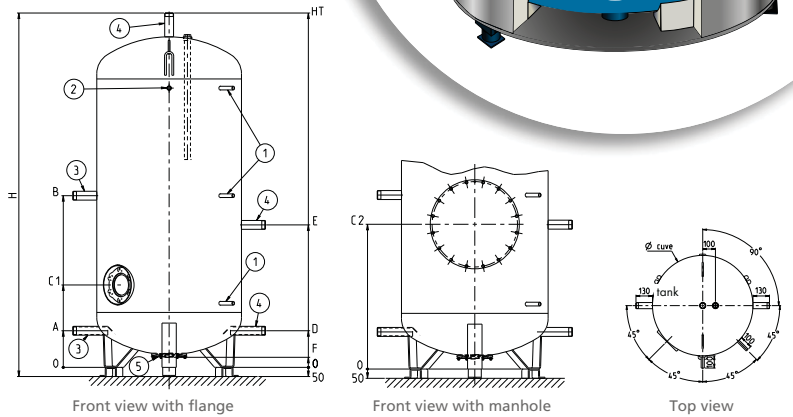
## CHARACTERISTICS

- Enamelled steel tank
- 10 bar operating pressure
- Insulation and external jacket: flexible SNC (100 mm high density PU foam and PVC jacket)
- Insulated bottom (below tank)
- 1/2" connection tap for thermometer
- Thermometer
- 1" 1/4 drain at the bottom of the tank on a removable Ø112 mm flange
- 3 blind thermowells (20 mm penetration length inside tank) for temperature sensors
- Circulation connections on tank
- 1 to 3 magnesium anodes 200 g/m<sup>2</sup> (supplied unmounted)
- Ø112 mm flange or Ø400 mm manhole, with insulation
- 3 feet (included)
- 50 mm high risers (not for 500 L model)
- 2 hoist rings
- Warranty: 5 years for tanks 2 years for parts

## OPTIONS & ACCESSORIES

- 5 to 30 kW sheathed heating element kit (with safety limit thermostat and temperature setting)
- DHW electric booster
- Additional equipment: loop reheater

## 500 L - 3000 L



## TANK CHARACTERISTICS

	Corhydro models										
	500	750	1000	1000 TB *	1500	1500 TB *	2000	2500	2500 TB *	3000	3000 TB *
<b>REFERENCES</b>	620401	620402	620403	620404	520492	620406	620407	620408	620409	620410	620411
<b>TECHNICAL CHARACTERISTICS AND PERFORMANCE</b>											
Usable capacity (L)	517	768	1022	1020	1425	1552	2077	2512	2521	3025	2904
Dimension passageway (mm)	Flange	680	795	795	1015	1015	1265	1265	1265	1515	1265
	Manhole	-	880	880	1055	1055	1270	1270	1270	1510	1270
Minimum installation height (mm)		2100	2135	2660	1890	2415	1895	2330	2690	2106	3115
Tilting dimension (mm) <sup>(1)</sup>		1980	1960	2480	1730	2270	1720	2180	2530	1970	2950
Minimum installation height to put the anode (mm) with risers		2350	2535	3210	2440	3165	2645	2680	3090	2506	3465
Empty tank weight (kg)	Flange	82	122	155	185	234	290	360	415	470	515
	Manhole	-	152	185	215	264	320	390	445	500	545
Thermal losses (W/K) <sup>(2)</sup>	Flexible M1 insulation	1.472	1.852	2.250	2.306	2.685	2.991	3.389	3.815	4.120	4.324
	Steel TMO insulation	1.311	1.646	1.997	2.046	2.381	2.651	3.003	3.379	3.648	3.828
<b>DIMENSIONAL CHARACTERISTICS (IN MM)</b>											
ø DN	ø tank	650	790	790	1000	1000	1250	1250	1250	1500	1250
Overall height without risers	HT	1950	1935	2460	1690	2215	1695	2130	2490	1906	2915
Height with risers	H	-	1985	2510	1740	2265	1745	2180	2540	1956	2965
Lower connexion	A	250	200	200	320	320	320	320	320	320	320
Upper connexion	B	950	937	1200	815	1077	818	1036	1216	923	1428
Flange opening height	C1	470	450	450	525	525	591	591	591	658	591
Manhole opening height	C2	-	780	780	733	733	799	799	799	866	799
Domestic cold water input	D	250	200	200	320	320	320	320	320	320	320
Return loop	E	812	778	988	683	893	690	864	1007	778	1179
Height under drain	F	110									
Sensor tube	1										60
Thermometer tube	2										Ø interior 15
Exchanger connexion	3		M 40/49								F 15/21
DCW / DHW / RL	4		M 40/49								M 50/60
Draining	5										M 50/60
											F 33/42

(1) Risers not mounted. (2) Storage at 65 °C - Room temperature 20 °C. Values determined according to European Standards in force. Add 0.176 W/K for manhole models.

\*TB: compact model