

# Cortherm

Electrical calorifier with sheathed or dry ceramic heating element  
11 models available



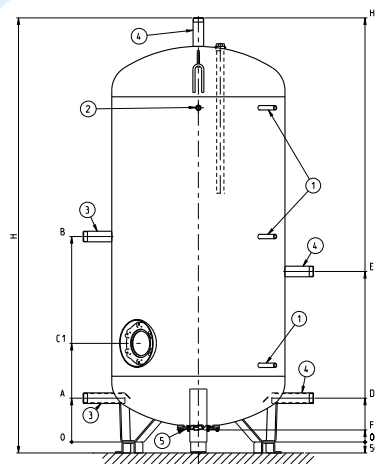
## CHARACTERISTICS

- Enamelled steel tank
- Operating pressure 10 bar
- Insulation and external jacket: flexible SNC (100 mm high density PU foam and PVC jacket)
- Magnesium anode 200 g/m<sup>2</sup> (supplied unmounted)
- 1/2" connection tap for thermometer
- Thermometer
- Drain at the bottom of the tank
- 3 feet (included)
- 2 hoist rings
- Warranty:  
5 years for tanks  
2 years for parts

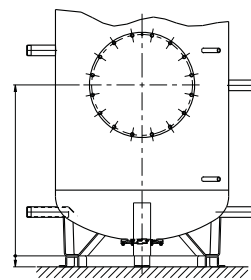
## OPTIONS

- Additional electric backup
- Inspection manhole
- DHW electric booster

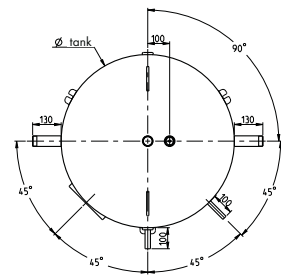
500 L - 3000 L



Front view



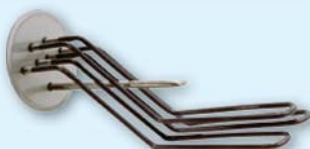
Front view with manhole



Top view

## SHEATHED ELEMENT

- Stainless steel incoloy 800 immersion heating element mounted into a Ø 112 mm stainless steel flange (watt density: ≤ 10 W/cm<sup>2</sup>)
  - Available output: 5, 10, 15, 25 kW
  - Voltage: 400 V, 3 phases
  - Thermostat: adjustable capillary thermostat ranging 50 - 80 °C (+/- 5 °C) (factory preset at 65 °C)
- Manual reset safety cut-out wired in series, to be connected to a power-switch for water heaters exceeding 5 kW



## CERAMIC ELEMENT

- Low watt density (4 W/cm<sup>2</sup>)
  - dry ceramic heating element inserted into a stainless steel protective sleeve
  - Ultimate scale avoiding solution
  - Excellent for desalinating hard and highly mineralized water
  - No need to drain the calorifier for easy maintenance
  - Available output: 4.8, 9, 12, 18, 24 kW (multi-outputs available)
  - Voltage: 400 V, 3 phases
  - Thermostat: adjustable capillary thermostat ranging 10 - 65 °C (factory preset at 65 °C)
- Manual reset safety cut-out wired in series, to be connected to a power-switch for water heaters exceeding 5 kW



## TANK CHARACTERISTICS

	Cortherm models										
	500	750	1000	1000 TB	1500	1500 TB	2000	2500	2500 TB	3000	3000 TB
<b>REFERENCES WITH SHEATHED ELEMENT</b>	630401	630402	630403	630404	630424	630406	630407	630408	630409	630410	630411
<b>REFERENCES WITH CERAMIC ELEMENT</b>	630413	630414	630415	630416	630425	630418	630419	630420	630421	630422	630423

### TECHNICAL CHARACTERISTICS AND PERFORMANCE

Usable capacity (L)		517	768	1022	1020	1425	1552	2077	2512	2521	3025	2904
Dimension passageway (mm)	Flange	680	795	795	1015	1015	1265	1265	1265	1515	1265	1515
	Manhole	-	880	880	1055	1055	1270	1270	1270	1510	1270	1510
Minimum installation height (mm)		2100	2135	2660	1890	2415	1895	2330	2690	2106	3115	2326
Tilting dimension (mm) <sup>(1)</sup>		1980	1960	2480	1730	2270	1720	2180	2530	1970	2950	2180
Minimum installation height to put the anode (mm) with risers		2350	2535	3210	2440	3165	2645	2680	3090	2506	3465	2576
Empty tank weight (kg)	Flange	82	122	155	185	234	290	360	415	470	478	515
	Manhole	-	152	185	215	264	320	390	445	500	508	545
Thermal losses (W/K) <sup>(2)</sup>	Flexible M1 insulation	1.472	1.852	2.250	2.306	2.685	2.991	3.389	3.815	4.120	4.324	4.444
	Steel TMO insulation	1.311	1.646	1.997	2.046	2.381	2.651	3.003	3,379	3.648	3.828	3.935

### DIMENSIONAL CHARACTERISTICS (IN MM)

ø DN	ø tank	650	790	790	1000	1000	1250	1250	1250	1500	1250	1500
Overall height without risers	HT	1950	1935	2460	1690	2215	1695	2130	2490	1906	2915	2126
Height with risers	H	-	1985	2510	1740	2265	1745	2180	2540	1956	2965	2176
Lower connexion	A	250	200	200	320	320	320	320	320	320	320	320
Upper connexion	B	950	937	1200	815	1077	818	1036	1216	923	1428	1033
Flange opening height	C1	470	450	450	525	525	591	591	591	658	591	658
Manhole opening height	C2	-	780	780	733	733	799	799	799	866	799	866
Domestic cold water input	D	250	200	200	320	320	320	320	320	320	320	320
Return loop	E	812	778	988	683	893	690	864	1007	778	1179	866
Height under drain	F	110	60									
Sensor tube	1	Ø interior 15										
Thermometer tube	2	F 15/21										
Exchanger connexion	3	M 40/49					M 50/60					
DCW / DHW / RL	4	M 40/49					M 50/60					
Draining	5	F 33/42										

### SHEATED HEATING ELEMENT

Heat-up time 65 °C (ΔT = 55°C )	6h24	4h48	6h24	6h24	6h24	6h24	5h07	6h24	6h24	7h40	7h40
Sheated heating element (kW)	5	10	10	10	10	15	25	25	25	25	25

### SHEATED HEATING ELEMENT

Heat-up time 65 °C (ΔT = 55°C )	6h40	5h20	7h06	7h06	7h59	7h59	7h06	6h40	6h40	7h59	7h59
Sheated heating element (kW)	4.8	9	9	9	12	12	18	24	24	24	24

(1) Risers not mounted. (2) Storage at 65 °C - Room temperature 20 °C. Values determined according to European Standards in force. Add 0.176 W/K for manhole models.

\*TB: compact model