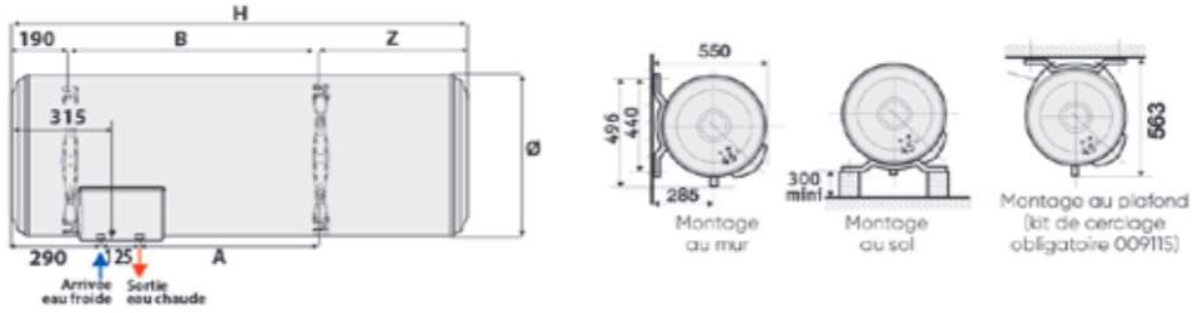


INSTALLATION DIMENSIONS



HORIZONTAL WALL MOUNTED

| Code | Description | Capacity | Output (W) | Voltage | Heat-up time | Hot water at 40°C | Cooling constant | QPR | Energy class | Dimensions (mm) | | | | | | Weight (kg) |
|--------|-----------------------------|----------|------------|---------------|--------------|-------------------|------------------|------|--------------|-----------------|------|-----|-----|-----|-------------|-------------|
| | | | | | | | | | | Ø | H | A | B | Z | C | |
| 155411 | ZENEO ACI HYB HM 100L 1800M | 100 | 1800 | Mono kit 230V | 2h59 | 171 | 0,24 | 1,16 | C | 520 | 830 | 275 | 500 | 135 | 556/ 545 | 27 |
| 155412 | ZENEO ACI HYB HM 150L 1800M | 150 | | | 4h20 | 251 | 0,22 | 1,56 | | | 1140 | 150 | 35 | | | |
| 155413 | ZENEO ACI HYB HM 200L 2200M | 200 | 2200 | | 5h08 | 332 | 0,2 | 1,87 | | | 1460 | 470 | 44 | | | |

STICKERS

| | | | |
|---|-------------------------------------|--|-----------------------|
| ATLANTIC ZENEO | ACI <small>HYBRID</small> | 1800W 230 V~ 230 V3~ / 400 V3~ | 100 l. |
| Code : 155411 | A155411 | 0,6 MPa maxi UF : 0344ED | |
| ES-HM100ME-S18TEMW06VWW | | 50 Hz | MADE IN FRANCE |
| N/S : 2147E9501 | | IP24 | |
| Etats voyant | | | |
| Orange = En chauffe Vert Fixe ou lent (5s) : anti corrosion OK Eteint ou vert rapide (0.5s) = voir notice | | BIP - Rue Monge - BP65 F-85002 LA ROCHE SUR YON | |

| | | | |
|---|-------------------------------------|--|-----------------------|
| ATLANTIC ZENEO | ACI <small>HYBRID</small> | 1800W 230 V~ 230 V3~ / 400 V3~ | 150 l. |
| Code : 155412 | A155412 | 0,6 MPa maxi UF : 0344ED | |
| ES-HM150ME-S18TEMW06VWW | | 50 Hz | MADE IN FRANCE |
| N/S : 2147E9502 | | IP24 | |
| Etats voyant | | | |
| Orange = En chauffe Vert Fixe ou lent (5s) : anti corrosion OK Eteint ou vert rapide (0.5s) = voir notice | | BIP - Rue Monge - BP65 F-85002 LA ROCHE SUR YON | |

STICKERS

| | | | |
|---|-------------------------------------|--|-----------------------|
| ATLANTIC ZENEO | ACI <small>HYBRID</small> | 2200W 230 V~ 230 V3~ / 400 V3~ | 200 l. |
| Code : 155413 | A155413 | 0,6 MPa maxi UF : 0344ED | |
| ES-HM200ME-S22TEMW06VWW | | 50 Hz | MADE IN FRANCE |
| N/S : 2147E9503 | | IP24 | |
| Etats voyant | | | |
| Orange = En chauffe Vert Fixe ou lent (5s) : anti corrosion OK Eteint ou vert rapide (0.5s) = voir notice | | BIP - Rue Monge - BP65 F-85002 LA ROCHE SUR YON | |

STICKERS

STICKERS



ATLANTIC - ZENEO ACI HYBRID HM

STICKERS

STICKERS