

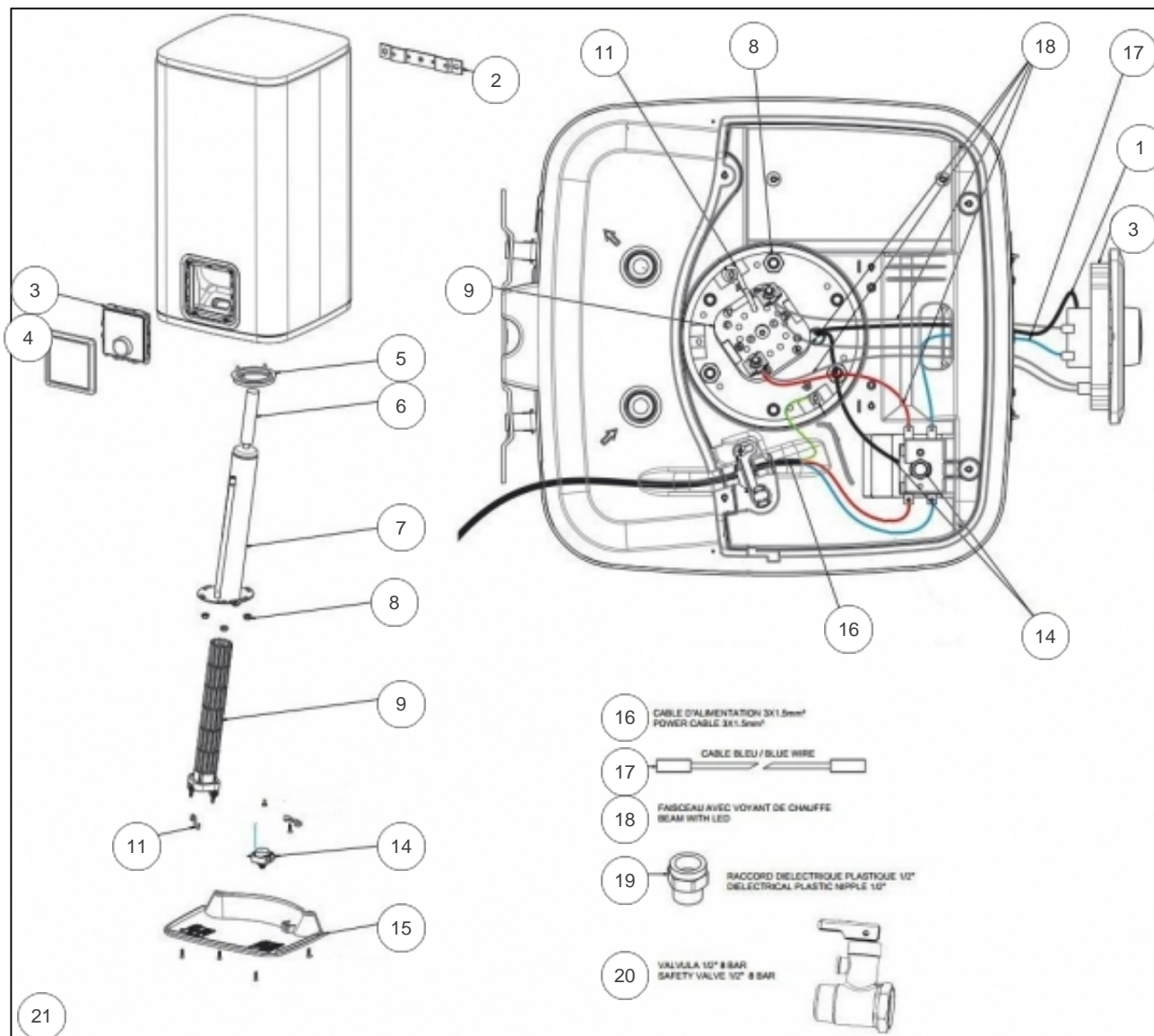
Atlantic Radiateurs & Eau Chaude Sanitaire

Products

Reference	Family name	Lettre
831184	ATL 30L VM APE S3 ACCESS WHITE	A

Parameters

Reference	capacity / size	Power(W)	Lettre
831184	30	1500	A



Références

Position	Description	A
1	THERMOSTAT	070273
2	WALL BRACKET	022347
3	HMI ASSEMBLY S3/S4 ER	029766
4	PS TRIMMING HMI BLACK RAL9005	022846
5	LIP GASKET	040323
6	ANODE	040173
7	PROTECTION SLEEVE + GASKET	040438
8	FLANGE FIXATION NUT	026064
9	CERAMIC HEATING ELEMENT	060507
11	HEATING ELEMENT FIXING CLAMP	026143
14	SAFETY THERMOSTAT SBLC 0059	029732
15	WHITE COVER S3	022844
16	POWER SUPPLY CABLE	020067
17	BLUE WIRE L200	026351
18	BEAM WITH LED	026352
19	PLASTIC DIELECTRIC UNION 1/2	029019
20	VALVULA 1/2 8 BARS LOW PRES. (WHITE)	029628
21	CARTON BOX 030 S3 ATL	033359

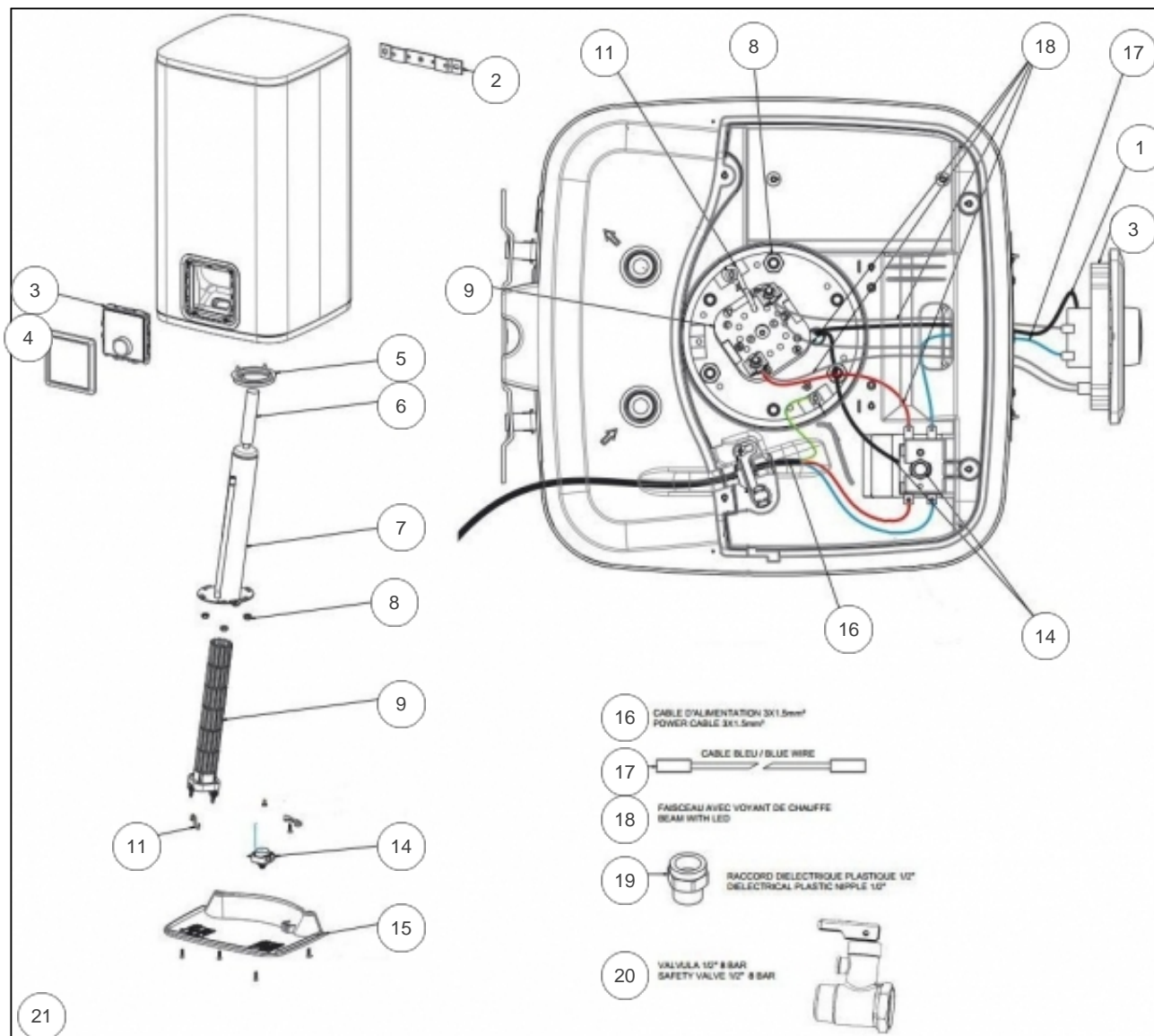
Atlantic Radiateurs & Eau Chaude Sanitaire

Products

Reference	Family name	Lettre
841286	ATL 50L VM APE S3 ACCESS WHITE	B

Parameters

Reference	capacity / size	Power(W)	Lettre
841286	50	1500/1000	B



Références

Position	Description	B
1	THERMOSTAT	070273
2	WALL BRACKET	022347
3	HMI ASSEMBLY S3/S4 ER	029766
4	PS TRIMMING HMI BLACK RAL9005	022846
5	LIP GASKET	040323
6	ANODE	040173
7	PROTECTION SLEEVE + GASKET	040438
8	FLANGE FIXATION NUT	026064
9	CERAMIC HEATING ELEMENT	060507
11	HEATING ELEMENT FIXING CLAMP	026143
14	SAFETY THERMOSTAT SBLC 0059	029732
15	WHITE COVER S3	022844
16	POWER SUPPLY CABLE	020067
17	BLUE WIRE L200	026351
18	BEAM WITH LED	026352
19	PLASTIC DIELECTRIC UNION 1/2	029019
20	VALVULA 1/2 8 BARS LOW PRES. (WHITE)	029628
21	CARTON BOX 050 S3 ATL	033360

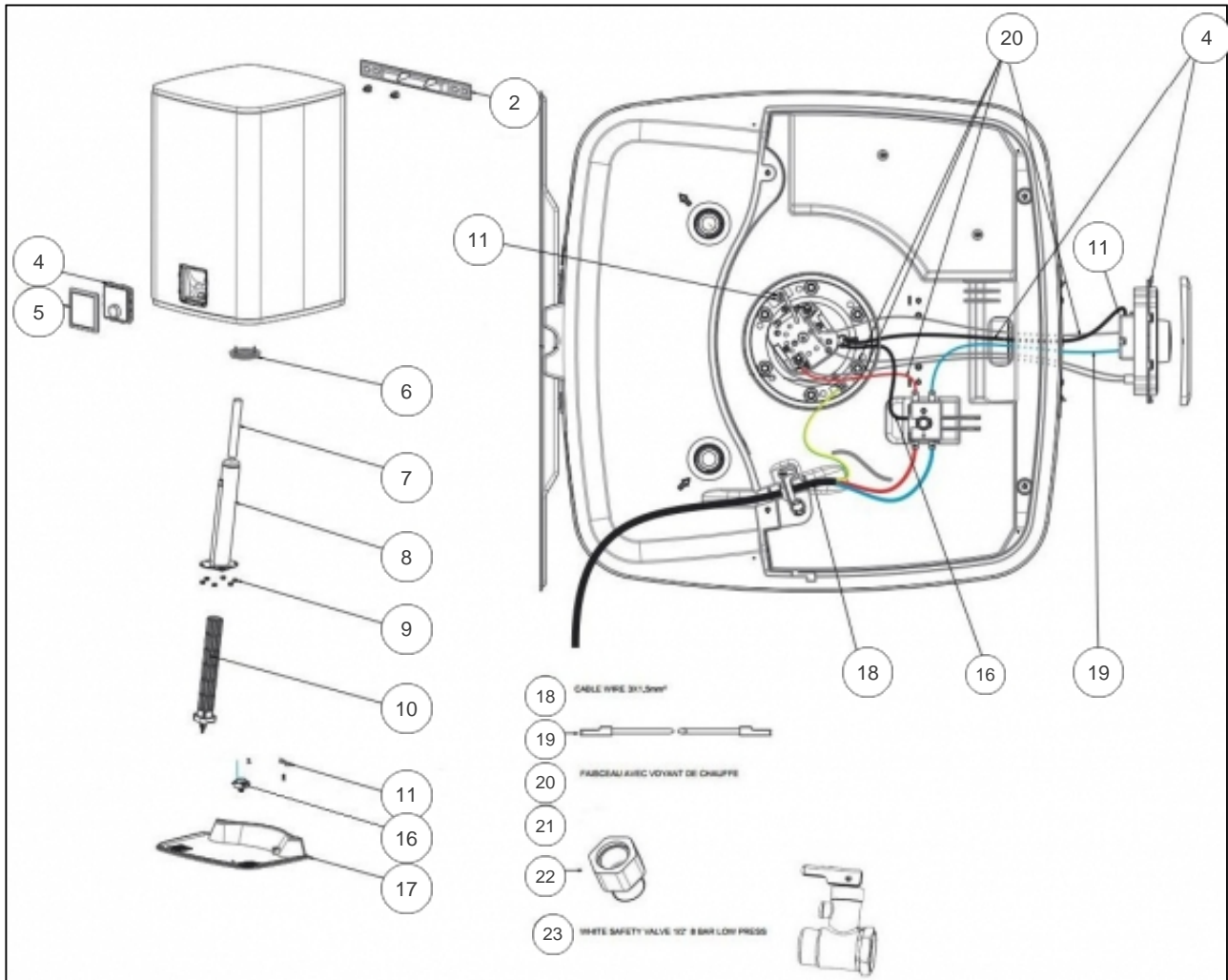
Atlantic Radiateurs & Eau Chaude Sanitaire

Products

Reference	Family name	Lettre
851267	ATL 75L VM APE S4 ACCESS WHITE	A

Parameters

Reference	capacity / size	Power(W)	Lettre
851267	75	1500	A



Références

Position	Description	A
2	WALL BRACKET (X1)	022714
4	HMI ASSEMBLY S3/S4 ER	029766
5	PS TRIMMING HMI BLACK RAL9005	022846
6	LIP GASKET	040323
7	ANODE	040208
8	PROTECTION SLEEVE + GASKET	040438
9	FLANGE FIXATION NUT	026064
10	CERAMIC HEATING ELEMENT	060507
11	HEATING ELEMENT FIXING CLAMP	026143
11	THERMOSTAT	070273
16	SAFETY THERMOSTAT SBLC 0059	029732
17	WHITE COVER S4	022845
18	POWER SUPPLY CABLE	020067
19	BLUE WIRE L200	026351
20	BEAM WITH LED	026352
21	CARTON BOX 075 S4 ER ATG	033361
22	PLASTIC DIELECTRIC UNION 3/4	029017
23	VALVULA 3/4 8 BARS BLUE	029518

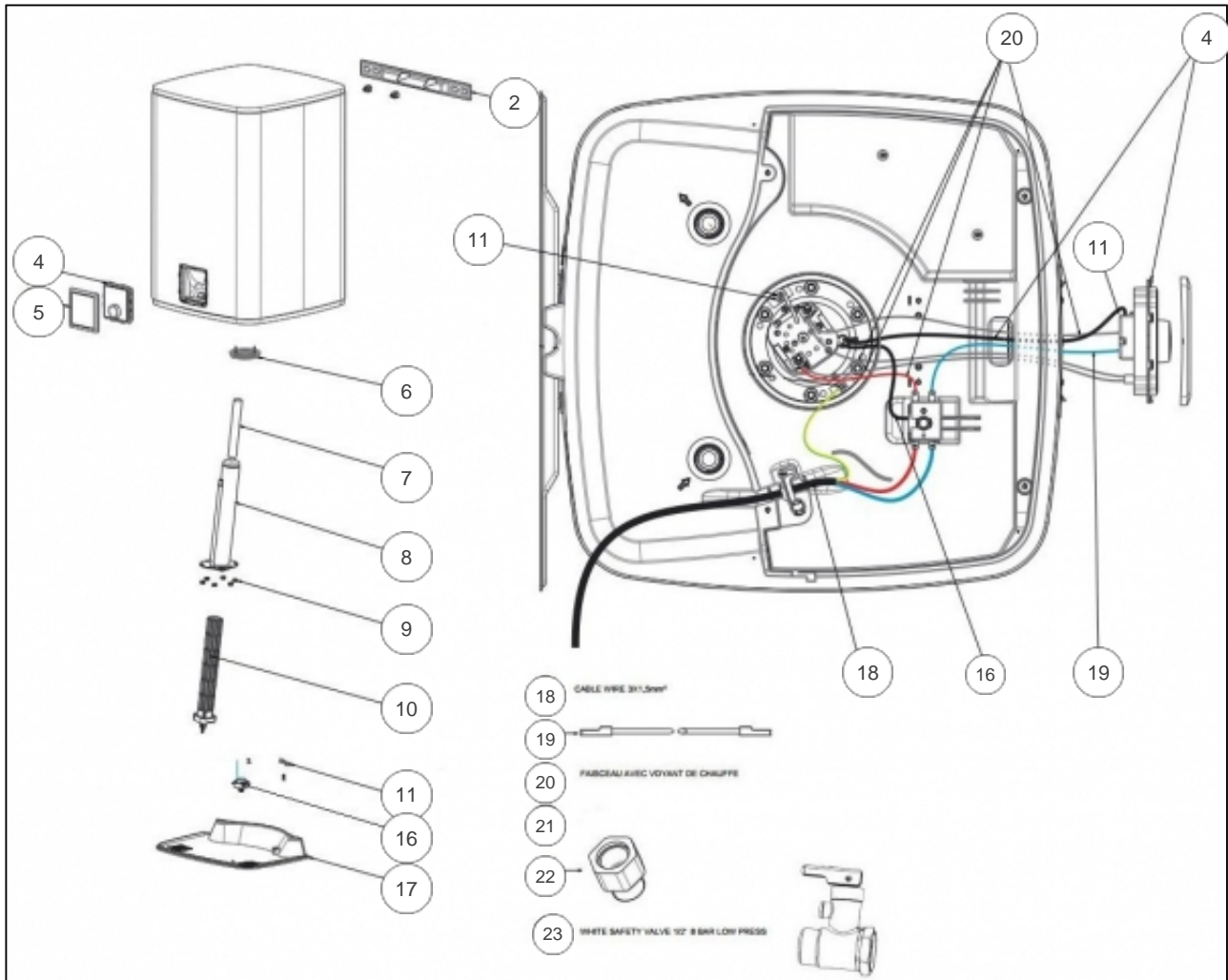
Atlantic Radiateurs & Eau Chaude Sanitaire

Products

Reference	Family name	Lettre
861312	ATL 100L VM APE S4 ACCESS WHITE	B

Parameters

Reference	capacity / size	Power(W)	Lettre
861312	100	1500	B



Références

Position	Description	B
2	WALL BRACKET (X1)	022714
4	HMI ASSEMBLY S3/S4 ER	029766
5	PS TRIMMING HMI BLACK RAL9005	022846
6	LIP GASKET	040323
7	ANODE	040208
8	PROTECTION SLEEVE + GASKET	040438
9	FLANGE FIXATION NUT	026064
10	CERAMIC HEATING ELEMENT	060507
11	HEATING ELEMENT FIXING CLAMP	026143
11	THERMOSTAT	070273
16	SAFETY THERMOSTAT SBLC 0059	029732
17	WHITE COVER S4	022845
18	POWER SUPPLY CABLE	020067
19	BLUE WIRE L200	026351
20	BEAM WITH LED	026352
21	CARTON BOX 100 S4 ER ATG	033362
22	PLASTIC DIELECTRIC UNION 3/4	029017
23	VALVULA 3/4 8 BARS BLUE	029518

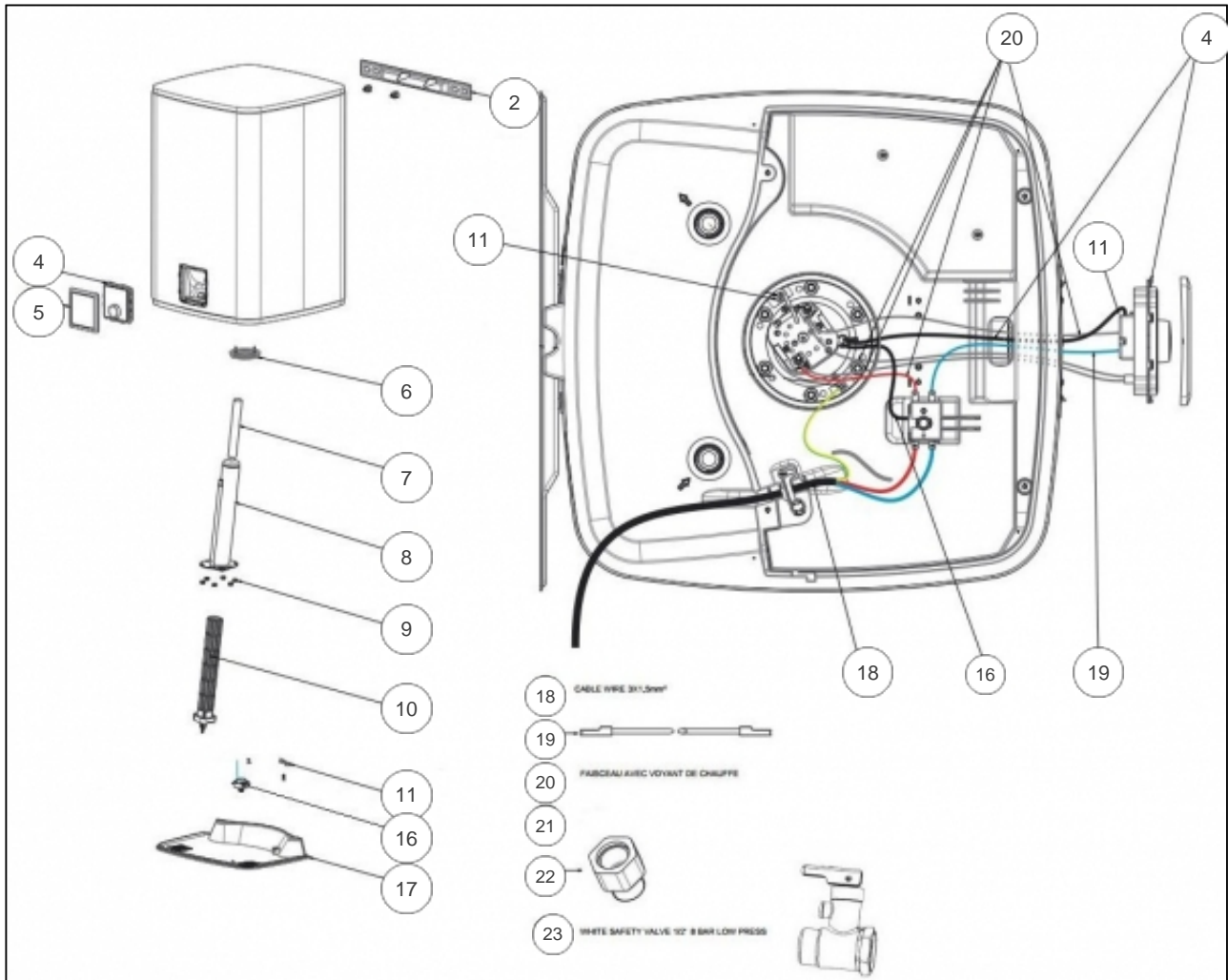
Atlantic Radiateurs & Eau Chaude Sanitaire

Products

Reference	Family name	Lettre
871221	ATL 150L VM APE S4 ACCESS WHITE	C

Parameters

Reference	capacity / size	Power(W)	Lettre
871221	150	1500	C



Références

Position	Description	C
2	WALL BRACKET (X1)	022714
4	HMI ASSEMBLY S3/S4 ER	029766
5	PS TRIMMING HMI BLACK RAL9005	022846
6	LIP GASKET	040323
7	ANODE	040208
8	PROTECTION SLEEVE + GASKET	040438
9	FLANGE FIXATION NUT	026064
10	CERAMIC HEATING ELEMENT	060507
11	HEATING ELEMENT FIXING CLAMP	026143
11	THERMOSTAT	070273
16	SAFETY THERMOSTAT SBLC 0059	029732
17	WHITE COVER S4	022845
18	POWER SUPPLY CABLE	020067
19	BLUE WIRE L200	026351
20	BEAM WITH LED	026352
21	CARTON BOX 150 S4 ER ATG	033363
22	PLASTIC DIELECTRIC UNION 3/4	029017
23	VALVULA 3/4 8 BARS BLUE	029518