

Mileo/Mileo +

WATER HEATER FITTED WITH BUILT-IN COIL DEDICATED TO HEAT PUMPS



+ PRODUCT

COMFORT

- Two ranges optimised for heat pumps, meeting all requirements (aerothermal and geothermal):
 - Mileo compatible with aerothermal heat pumps only
 - Mileo + compatible with aerothermal and geothermal heat pumps
- Equipped with optimised coil and 3300 W electric heating element
- Chromed thermometer

QUALITY - DURABILITY

- Magnesium anode for strengthened tank protection
- Pressure relief valve
- Dielectric union
- Specific lip gasket to avoid corrosion around flange

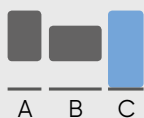
USER-FRIENDLINESS

- IP 25 - full compliance with European standards for electrical safety and user protection

SAVINGS

- Accurate mechanical thermostat with integrated security
- High-efficiency water inlet
- CFC-free high-density insulation for more energy savings
- Insulation jacket for more energy savings

INDIRECT & COMBI WATER HEATER

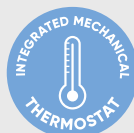


Model available*

160 TO 500 L (MILEO FLOOR-STANDING)

DEDICATED TO HEAT PUMPS

Energy savings

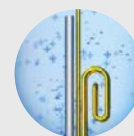


Temperature regulation

200 TO 500 L (MILEO + FLOOR-STANDING)

MAGNESIUM ANODE

Tank protection

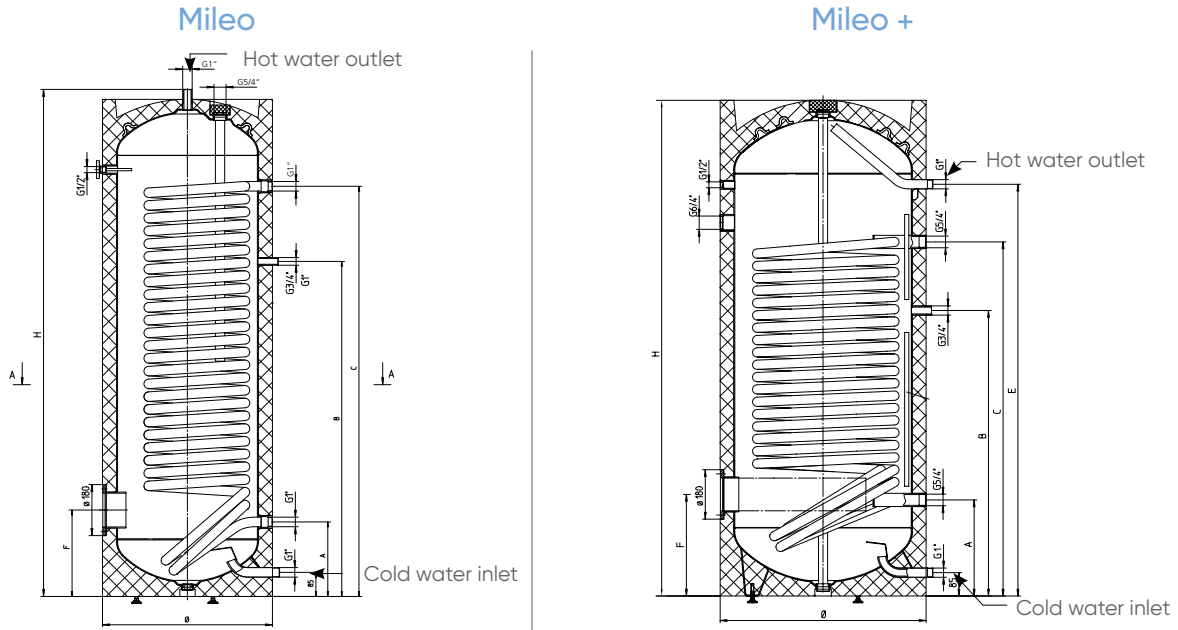


Copper heating element

*Model types: A: Vertical wall-mounted / B: Horizontal wall-mounted / C: Floor-standing

Mileo/Mileo +

INSTALLATION DIMENSIONS



TECHNICAL DATA

CAPACITY (L)	OUTPUT (W)	HEATING ELEMENT TYPE	HEAT LOSS (kWh/24 h)	MAX PRIMARY TEMPERATURE OF USE (°C)	MAX WORKING PRESSURE (BAR)	COIL SURFACE AREA (m ²)
Mileo						
160	3300	Sheated	1.47	80	10	1.4
200	3300	Sheated	1.67	80	10	1.8
300	3300	Sheated	2.19	80	10	2.6
400	3300	Sheated	2.45	80	10	3.8
500	3300	Sheated	2.72	80	10	4
Mileo +						
200	3300	Sheated	1.67	80	10	2.5
300	3300	Sheated	2.08	80	10	3.5
400	3300	Sheated	2.45	80	10	5
500	3300	Sheated	2.72	80	10	6

DIMENSIONS

CAPACITY (L)	DIMENSIONS (mm)						DIAMETER (Ø) mm	NET WEIGHT (Kg)	ERP ENERGY CLASS	PROFILE
	H	A	B	C	E	F				
Mileo										
160	1120	263	668	818	-	305	610	69	C	L
200	1340	263	803	998	-	305	610	83	C	XL
300	1800	263	983	1313	-	305	610	113	C	XXL
400	1835	320	1000	1460	-	345	680	161	C	XXL
500	1840	370	1095	1465	-	370	760	170	C	3XL
Mileo +										
200	1300	305	730	840	1057	305	610	98	C	XL
300	1435	320	840	990	1160	345	680	162	C	XXL
400	1800	320	1000	1260	1525	345	680	204	C	XXL
500	1810	350	1040	1290	1500	370	760	244	C	3XL